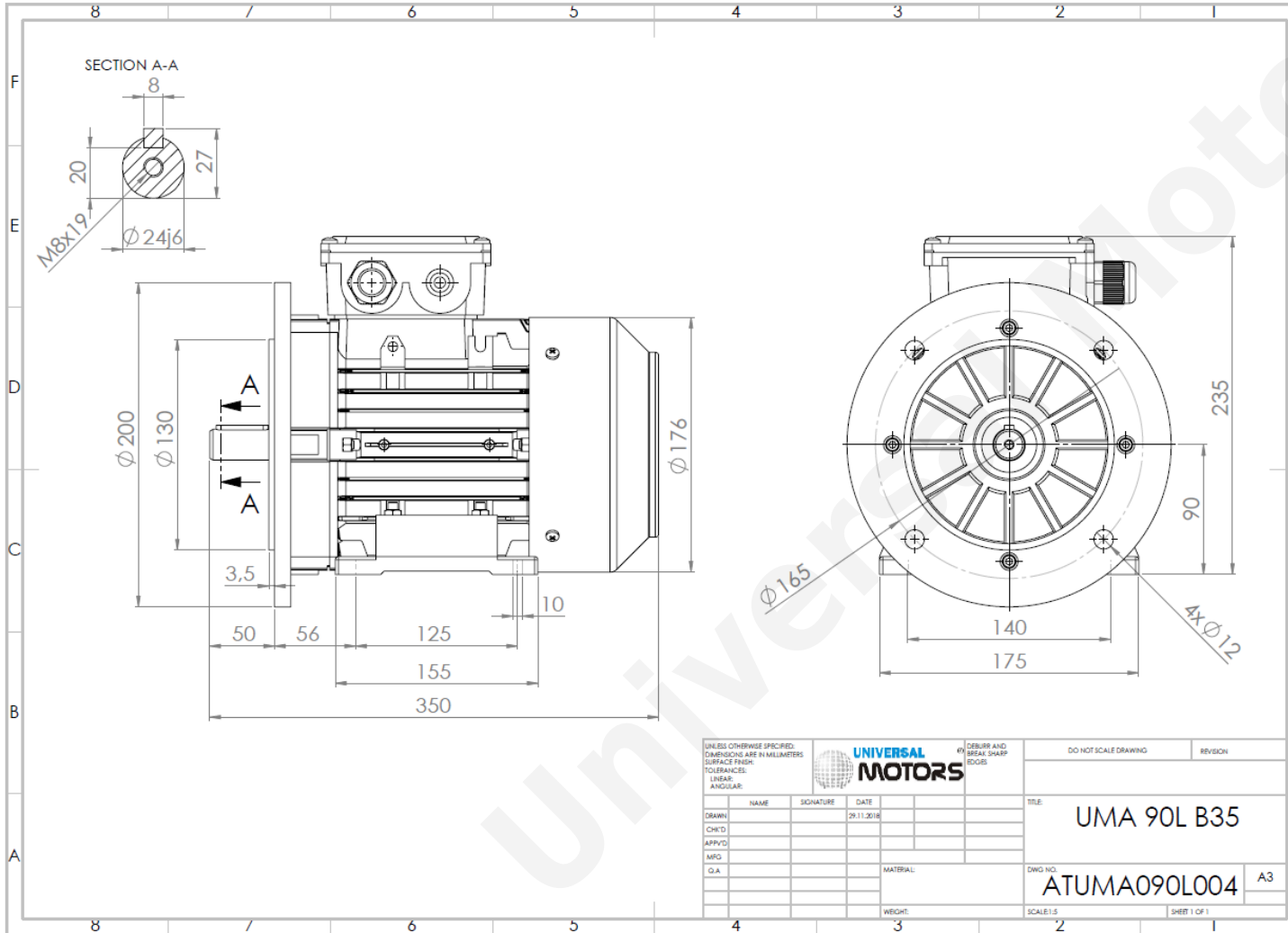




TECHNICAL DATA

Three Phase Electric Motors - Aluminum Frame
 UM3A 90L1-4 IE3
 1.5 kW / 2 Cv
 1440 RPM



Motor type:	UM3A 90L1-4 IE3
Output:	1.5 kW / 2 Cv
Speed (min ⁻¹):	1440 RPM
Frequency:	50 Hz
Voltage:	400 V
Current:	3.48 A
Power factor (Cos Ø):	0.73
Poles:	4
Insulation class:	F
Temperature rise Class:	B
Efficiency 50%:	83.1 %
Efficiency 75%:	85.3 %
Efficiency 100%:	85.3 %
Torque:	10.0 N.m
Tstarting/Tnominal:	4.1
Istarting/Inominal:	8.1
Tmaximum/Tnominal:	4.1
Noise:	61 Db(A)
Weight:	18.0 Kg
Brake AC:	AC4
Torque Brake DC:	16 N.m
Bearing DE:	6205 2Z
Bearing NDE:	6205 2Z
Torque Brake AC:	20 N.m
Brake DC:	REB-05-10

Regime - S1

Altitude - 1000m

Environment Temperature - 40°C

CONTACTS:

UNIVERSAL MOTORS Tel: +351 252 299 080
 Rua de São Brás,745 Fax: +351 252 299 089
 4480-782 VILA DO CONDE Mail: geral@universalmotors.pt

* References applied only in the UK